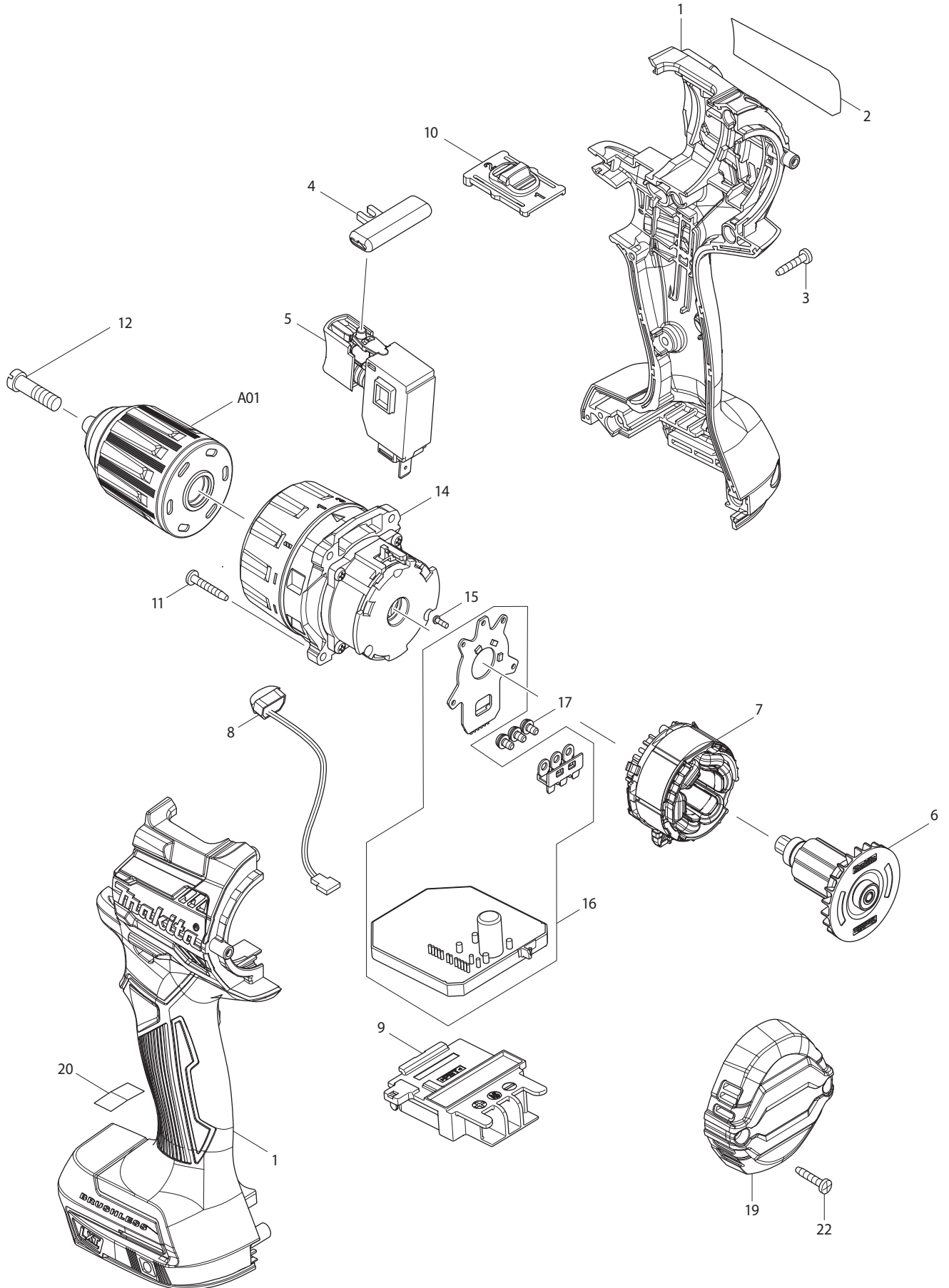




06 - 2016
DDF484RME, DDF484RTE, DDF484Z
18V LXT Brushless 1/2" Driver Drill



Item No	Type	Sub	Part No	Description	Qty	Unit
001	2		183L79-9	HOUSING SET	1	SET
		INC.	263005-3	RUBBER PIN 6	2	PC.
		INC.	252126-6	HEX LOCKING NUT M4-7	2	PC.
002			852M14-1	NAME PLATE F/DDF484	1	PC.
003			266429-2	TAPPING SCREW 3X16	7	PC.
004			419041-9	CHANGE LEVER F/R	1	PC.
005	2		650006-4	SWITCH TGRK2-1	1	PC.
006			619406-7	ROTOR	1	PC.
007			629225-3	STATOR	1	PC.
008			620549-0	LED CIRCUIT	1	PC.
009			643874-2	TERMINAL	1	PC.
010			123738-1	SPEED CHANGE LEVER ASSEMBLY	1	PC.
		INC.	233438-6	COMPRESSION SPRING 4	2	PC.
011			251497-8	TAPPING SCREW 3X20	4	PC.
012			251468-5	- FLAT HEAD SCREW M6X22	1	PC.
014	2		127500-6	GEAR ASSEMBLY	1	PC.
015			266490-9	TAPPING SCREW PT 2X6	3	PC.
016			620548-2	CONTROLLER	1	PC.
017			652069-6	FLAT HEAD SCREW M3X6	3	PC.
019			456966-6	REAR COVER	1	PC.
020			809U04-3	CAUTION LABEL	1	PC.
022			266429-2	TAPPING SCREW 3X16	2	PC.
100			251314-2	+TH SCREW M4X12 F/HOOK & BIT	1	PC.

ACCESSORIES

- Visit www.makita.ca for more accessories information -

A01			766027-7	1/2" KEYLESS DRILL CHUCK	1	PC.
A02			346449-3	HOOK	1	PC.
A03			784637-8	SQUARE DOUBLE ENDED BIT 2-45	1	PC.
A04			832035-1	TOOL BAG	1	PC.
			821532-2	PLASTIC CASE COMPLETE	1	PC.
	Opt.		158597-4	PLASTIC CARRYING CASE COMPLETE	1	PC.
		INC.	417724-5	LATCH	2	PC.
		INC.	324679-6	SHAFT	1	PC.
		INC.	419216-0	HANDLE	1	PC.
A05			450128-8	BATTERY COVER	1	PC.
			-----	LI-ION BATTERY ACCESSORIES		
A06			-----	BATTERY CHARGER	1	PC.
A07			-----	18V LI-ION BATTERY		
A08			452947-8	BIT HOLDER	1	PC.
A09			-----	SPADE BITS		
A10			-----	SELF FEED DRILL BITS		
A11			-----	FORSTNER BITS		
A12			-----	SPIRAL STEP DRILL BITS		
A13			-----	COUNTERSINK DRILL BITS		
A14			-----	EZYCHANGE BIM HOLE SAWS		
A15			-----	BIM HOLE SAWS		
A16			-----	IMPACT GOLD DRIVER BITS		
A17			-----	OMNIBOHRER CONSTRUCTION DRILL		
A18			-----	HOLLOW SOCKETS		
A19			-----	THREADED ROD SOCKETS		
A20			-----	HEX SHANK SHIP AUGER BITS		
A21			-----	SCREW GUIDE BIT HOLDERS		
A22			-----	12" FLEXIBLE BIT HOLDER		